

## Assembly sets for profile systems 30 / 40

for slot width 6 / 8, assembly with T-Nuts GN 506

### SPECIFICATION

#### Types

- Type **A**: with cylinder head screw DIN 912
- Type **B**: with countersunk screw DIN 7991
- Type **C**: with lens screw ISO 7380
- Type **D**: with cylinder head screw DIN 7984

T-Nuts GN 506 (see page 982)  
Steel

- zinc plated, blue passivated
- Ball / Spring Stainless Steel

Cylinder heads screws DIN 912

Countersunk screws DIN 7991

Lens screws ISO 7380

Cylinder head screws DIN 7984

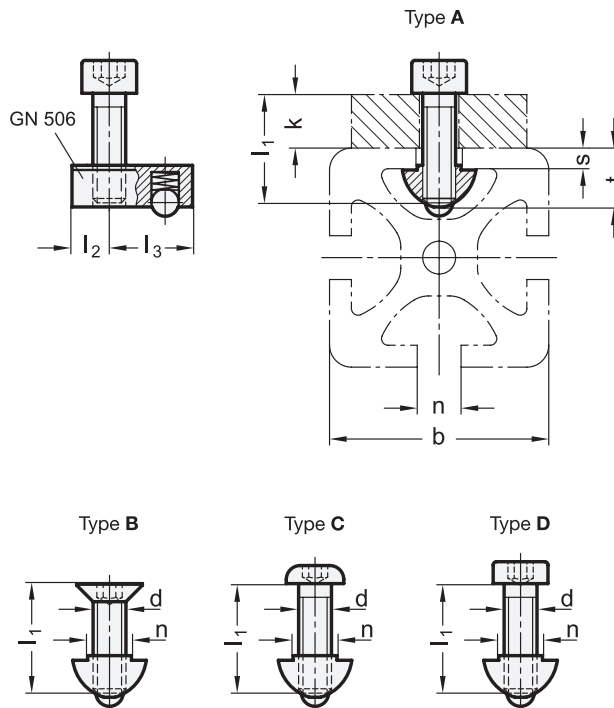
Steel zinc plated, blue passivated




### INFORMATION

Assembly sets GN 965 allow different standard element to be attached to the most common profile systems. Each set includes one T-nut GN 506 (see page 982) and one screw.

- Explanation (see page A44)
- Overview to appropriate standards of the assembly sets GN 965 (see page A45)



## GN 965

Description	b	n	d	l1	k ≈	l2	l3	s ≈	t ≈	
GN 965-6-M4-10-A	30	6	M4	10	... 4	5	12	2.9	8.9	10
GN 965-6-M4-12-A	30	6	M4	12	1 ... 6	5	12	2.9	8.9	12
GN 965-6-M4-16-A	30	6	M4	16	5 ... 10	5	12	2.9	8.9	12
GN 965-6-M5-10-A	30	6	M5	10	... 3	5	12	2.9	8.9	6
GN 965-6-M5-12-A	30	6	M5	12	1 ... 5	5	12	2.9	8.9	6
GN 965-6-M5-14-A	30	6	M5	14	3 ... 7	5	12	2.9	8.9	8
GN 965-6-M5-16-A	30	6	M5	16	5 ... 9	5	12	2.9	8.9	9
GN 965-6-M5-18-A	30	6	M5	18	7 ... 11	5	12	2.9	8.9	9
GN 965-6-M5-22-A	30	6	M5	22	11 ... 15	5	12	2.9	8.9	10
GN 965-6-M6-12-A	30	6	M6	12	1 ... 4	5	12	2.9	8.9	9
GN 965-6-M6-14-A	30	6	M6	14	3 ... 6	5	12	2.9	8.9	9
GN 965-6-M6-16-A	30	6	M6	16	5 ... 8	5	12	2.9	8.9	10
GN 965-6-M6-20-A	30	6	M6	20	9 ... 12	5	12	2.9	8.9	10
GN 965-6-M6-25-A	30	6	M6	25	14 ... 17	5	12	2.9	8.9	10
GN 965-8-M4-12-A	40	8	M4	12	... 5	7	15	4.6	11.4	10
GN 965-8-M4-14-A	40	8	M4	14	1 ... 7	7	15	4.6	11.4	10
GN 965-8-M4-20-A	40	8	M4	20	7 ... 13	7	15	4.6	11.4	13
GN 965-8-M5-12-A	40	8	M5	12	... 4	7	15	4.6	11.4	13
GN 965-8-M5-14-A	40	8	M5	14	1 ... 6	7	15	4.6	11.4	14
GN 965-8-M5-16-A	40	8	M5	16	3 ... 8	7	15	4.6	11.4	14
GN 965-8-M5-18-A	40	8	M5	18	5 ... 10	7	15	4.6	11.4	14
GN 965-8-M5-20-A	40	8	M5	20	7 ... 12	7	15	4.6	11.4	15
GN 965-8-M5-22-A	40	8	M5	22	9 ... 14	7	15	4.6	11.4	15
GN 965-8-M5-25-A	40	8	M5	25	12 ... 17	7	15	4.6	11.4	15
GN 965-8-M6-14-A	40	8	M6	14	1 ... 5	7	15	4.6	11.4	10
GN 965-8-M6-16-A	40	8	M6	16	3 ... 7	7	15	4.6	11.4	10
GN 965-8-M6-18-A	40	8	M6	18	5 ... 9	7	15	4.6	11.4	10
GN 965-8-M6-22-A	40	8	M6	22	9 ... 13	7	15	4.6	11.4	14
GN 965-8-M6-28-A	40	8	M6	28	15 ... 19	7	15	4.6	11.4	20
GN 965-8-M8-14-A	40	8	M8	14	1 ... 4	7	15	4.6	11.4	20
GN 965-8-M8-16-A	40	8	M8	16	3 ... 6	7	15	4.6	11.4	20
GN 965-8-M8-18-A	40	8	M8	18	5 ... 8	7	15	4.6	11.4	21
GN 965-8-M8-20-A	40	8	M8	20	7 ... 10	7	15	4.6	11.4	22
GN 965-8-M8-28-A	40	8	M8	28	15 ... 18	7	15	4.6	11.4	24
GN 965-6-M4-10-B	30	6	M4	10	... 4	5	12	2.9	8.9	14
GN 965-6-M5-12-B	30	6	M5	12	1 ... 5	5	12	2.9	8.9	16
GN 965-6-M6-12-B	30	6	M6	12	1 ... 4	5	12	2.9	8.9	18
GN 965-6-M6-14-B	30	6	M6	14	3 ... 6	5	12	2.9	8.9	19
GN 965-6-M6-16-B	30	6	M6	16	5 ... 8	5	12	2.9	8.9	20
GN 965-6-M6-18-B	30	6	M6	18	7 ... 10	5	12	2.9	8.9	20
GN 965-8-M5-14-B	40	8	M5	14	1 ... 6	7	15	4.6	11.4	13
GN 965-8-M6-14-B	40	8	M6	14	1 ... 5	7	15	4.6	11.4	13
GN 965-8-M6-16-B	40	8	M6	16	3 ... 7	7	15	4.6	11.4	13
GN 965-8-M6-18-B	40	8	M6	18	5 ... 9	7	15	4.6	11.4	13
GN 965-8-M6-20-B	40	8	M6	20	7 ... 11	7	15	4.6	11.4	13
GN 965-8-M8-16-B	40	8	M8	16	3 ... 6	7	15	4.6	11.4	18
GN 965-6-M6-14-C	30	6	M6	14	3 ... 6	5	12	2.9	8.9	20
GN 965-8-M6-16-C	40	8	M6	16	3 ... 7	7	15	4.6	11.4	14
GN 965-8-M6-22-C	40	8	M6	22	9 ... 13	7	15	4.6	11.4	20
GN 965-8-M8-16-C	40	8	M8	16	3 ... 6	7	15	4.6	11.4	17
GN 965-8-M8-18-C	40	8	M8	18	5 ... 8	7	15	4.6	11.4	18
GN 965-6-M6-10-D	30	6	M6	10	... 3	5	12	2.9	8.9	8
GN 965-8-M6-14-D	40	8	M6	14	1 ... 5	7	15	4.6	11.4	10



Machine elements 9